

ParkIT

New generation ANPR/LPR camera for parking and access control



KEY FEATURES AND MAIN BENEFITS

- ✔ Built-in auto setup wizard helps easy integration and configuration
- ✔ Embedded web server, accessible via web browsers
 - Image downloading
 - Barrier control functions (trigger in – out)
 - Displaying live image
- ✔ Auto day & night switch
- ✔ Automated adaptive functions keep tracking environmental changes and modify camera settings if necessary
- ✔ HW accelerated, built-in motion detection
- ✔ Options: megapixel resolution and color imaging
- ✔ Still images and MJPEG stream output
- ✔ High quality product at an unbelievable price
- ✔ Simultaneous image display

APPLICATION AREAS

- ✔ Access control (Entry & Exit) to restricted car parks or vehicle storage area
- ✔ Maximum stay car park management
- ✔ POE (Pay-On-Exit) car park management
- ✔ POF (Pay-On-Foot) car park management
- ✔ Security control / monitoring
- ✔ Weight-In-Motion (WIM) systems
- ✔ Border control



Parking revenue systems



Access control



Airport and harbor logistics



Traffic security monitoring



Bus lane - and red light enforcement



Border Control



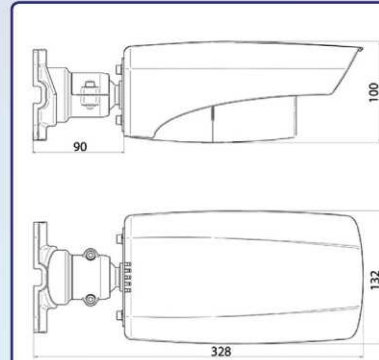
Commercial vehicle applications

ParkIT datasheet

Digital camera with IR LEDs for access control systems

CAMERA

	WVGA	1.3 MP
Resolution (H x V pixels)	752 x 480	1280 x 960
Sensor	B&W or color, Progressive scan CMOS 1/3"	Color, Progressive scan CCD 1/3"
Max Frame Rate (at full resolution)	60 frames/sec	22,5 frames/sec
Filter	IR pass (from 720 nm)	IR cut/all pass
Video output format	JPEG, MJPEG stream	
Exposure Control	Global shutter, software adjustable 1 / 25 - 1 / 40 000s	
Communication interface	100 Mbit/sec ethernet	
Communication protocol	TCP/IP, HTTP, FTP, NTP, ICMP, SMTP, DHCP, ARP	
JPEG quality	adjustable between 10-100%	
Light sensor	Included, configurable for switching day/night mode	
Internal Processor	Min. 400MHz DSP and image processing chip	
Internal memory	Min. 64MB DDR + 256 MB flash storage	



LENS

Lens type	6-36 mm position sensitive motorized optics
Iris, Focus, Zoom	Automatic motorized focus, iris, zoom
Effective range for ANPR	3 - 12 m/10-40 feet

ILLUMINATION

Type	4 pieces of high quality SMD IR LEDs (white optional), controlled and synchronised flash
Wavelength	850 nm
Intensity	2 preconfigured modes (normal, high)
Flash time	Software adjustable, up to 950 µs

MECHANICAL/ELECTRONICAL

Input voltage	12 VDC
Power consumption	Avg. 8 W, max. 10 W
Dimensions (L x W x H)	without sunshield : 171 mm x 120.4 mm x 95.1 mm including sunshield : 237.5 mm x 132.2 mm x 100.6 mm
Conformity	CE, RoHS
IP rating	IP 65
Housing Color	blue
Shield Color	white
Startup temperature	Over -20 °C/-4 °F
Operating temperature	Starting from -25 °C/-13 °F
Maximum operating working temperature	+55 °C/130 °F
I/O ports	Opto in: isolated trigger in: 5 - 12 VDC Opto out: isolated open drain 5 - 24VDC, 20mA max Serial RS232/5
Weight	1.6 kg/3.5 lbs
Power supply	Optional



SOFTWARE

Supported platform	Linux and Windows
Communication protocols	HTTP, FTP, SMTP
SDK	C, C++
Add-on features	Full remote control via web browser Configuration tool Auto brightness control designed for license plate recognition, Automatic day-night mode switch, Autofocus

BRACKET

Dimensions (L x W x H)	90.5 mm x 110 mm x 90 mm
Weight	0.6 kg/1.3 lbs
Cabling	Hidden

* Technical specifications are subject to change without prior notice